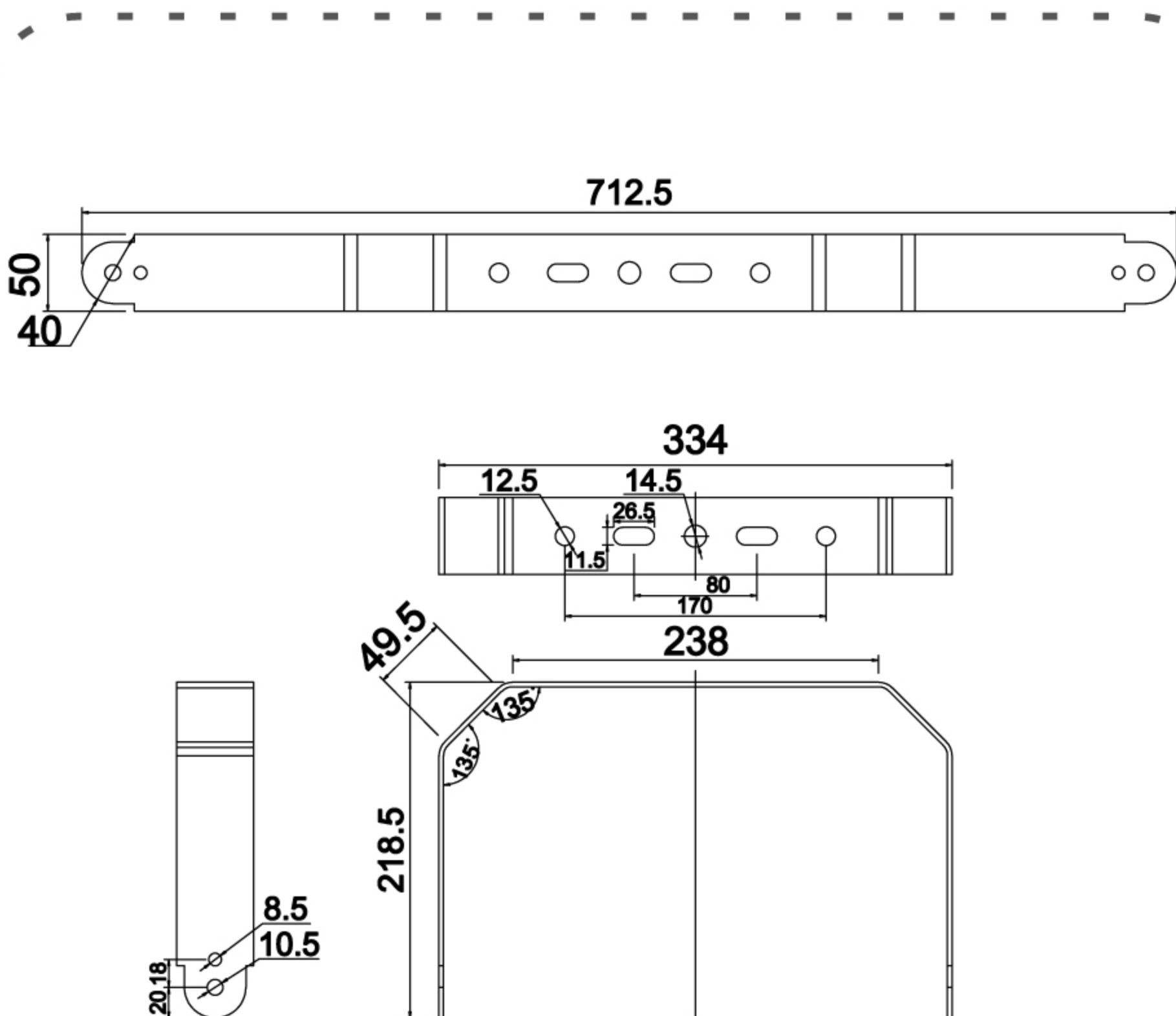


**50/75/100/150**



**50/75/100/150**