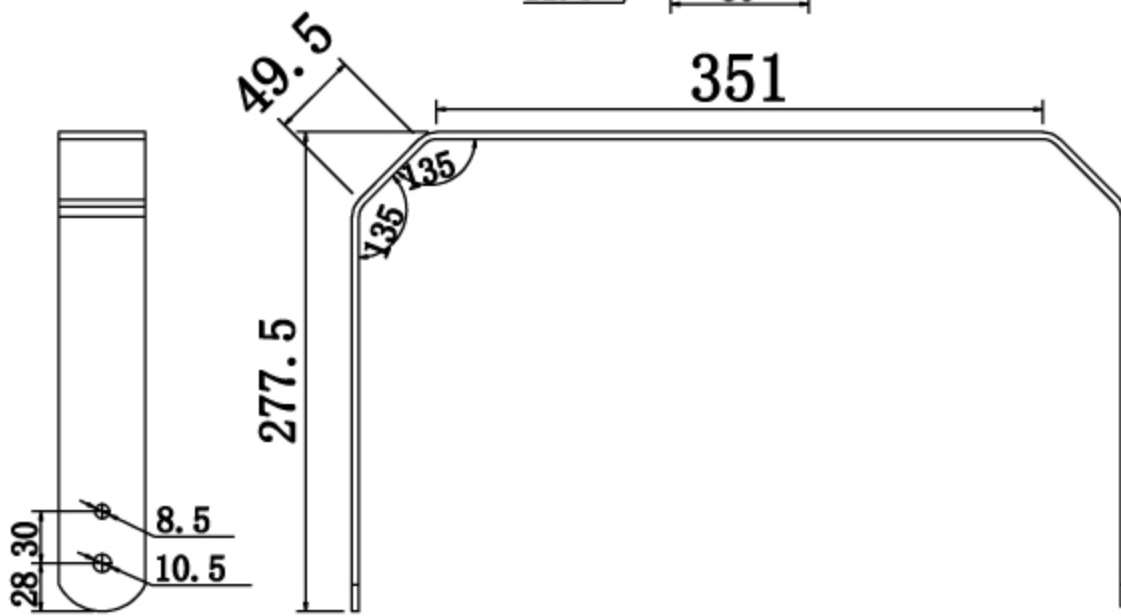
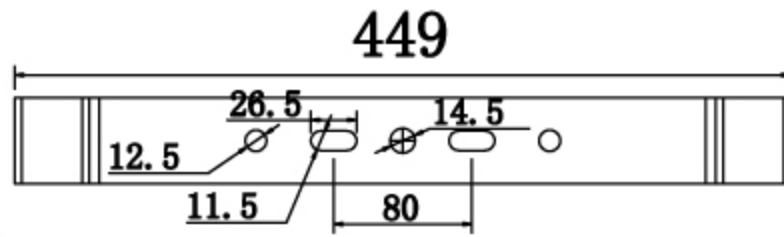
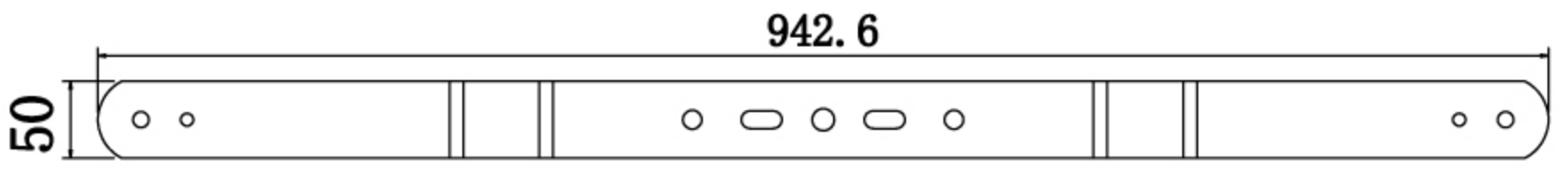


200/250/300



200/250/300